

# BIGBIRD

## FLOOR STAND INSTALLATION

Open the tripod legs to their widest position and place it on the floor. Secure the setting by tightening the locking screw. Attach the mounting brackets and tighten the screws. Carefully place the BigBird Timer and battery onto the attachment bracket.

### In the box :



Tripod Body

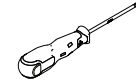


Adaptor

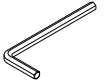


Battery holder

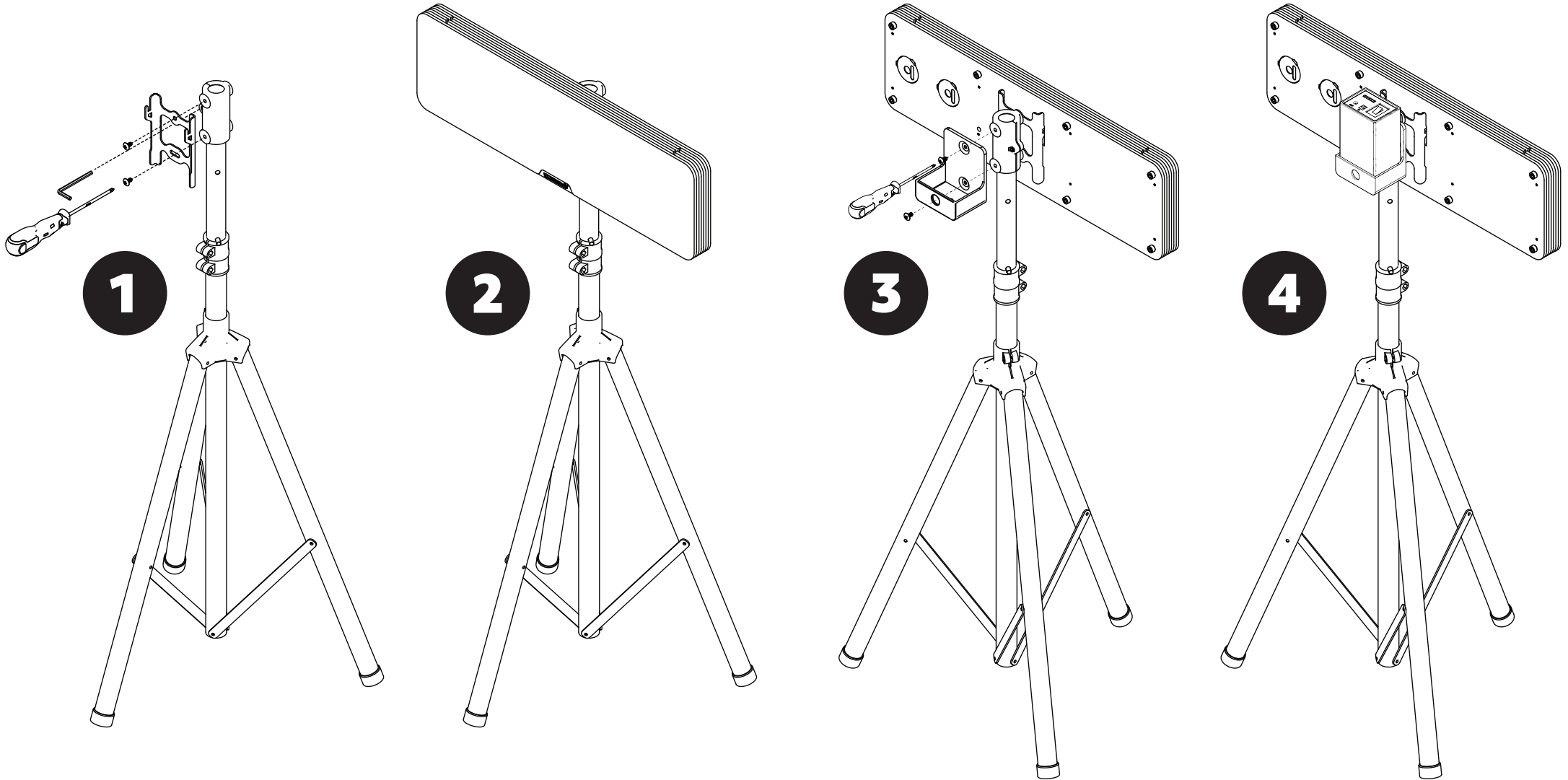
### Tools needed :



Cross head screw driver



Hex Key M5



# BIGBIRD

## FLOOR STAND INSTALLATION

1. Open the tripod legs and stand it on the floor. Secure setting by tightening the locking screw
2. Attach the mounting bracket and tighten the screws.
3. Carefully place the BigBird Timer onto the mounting bracket.
4. For 2 BigBirds, repeat the process from the other side of the adapter.

### In the box :

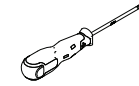


Tripod  
Body

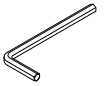


Adaptor

### Tools needed :



Cross head  
screw driver



Hex Key M5

